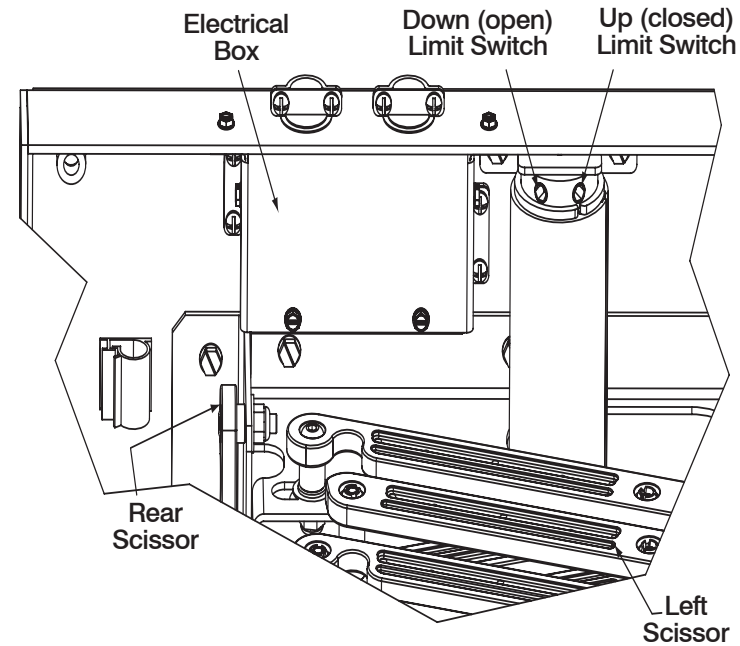
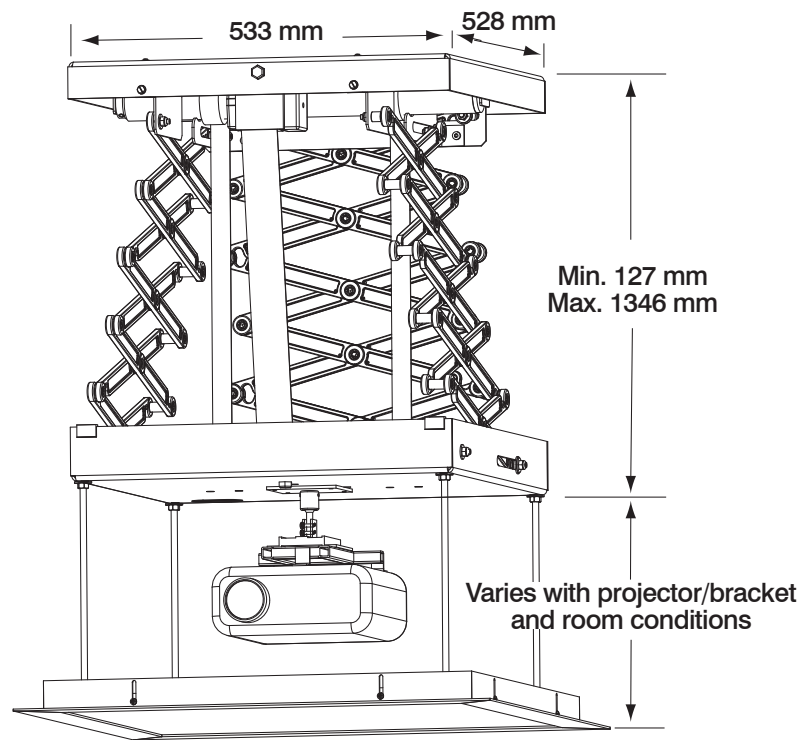


# Specifications for LP Morgan Resi-Lift



## Product Features:

- Mechanical limits to change lower limit
- Dry contact control
- Programmable start and stop operations
- Precision limit setting, adjustment and repeatability
- Universal projector attachment
- Supplied as standard with wall switch
- Ceiling Trim included to conceal ceiling opening
- Simple and quick installation
- 240VAC required - plug and play
- IR remote control optional
- Fall-Arrest device

Product Code	Description	Max Travel	Max Projector Dimension (l x w) mm	Max Projector Weight	Ceiling Panel Size (D x W) mm	Ceiling Cutout (D x W) mm
LPM7122S	Resi-Lift	1220 mm	508 x 508	12kg	600 x 550	628 x 578

\* All dimensions in mm except where stated.